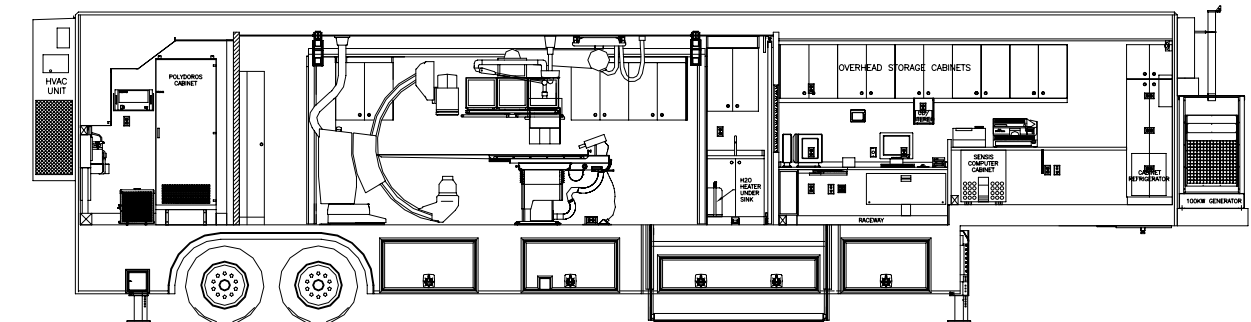




# Site Planning Guide

## SIEMENS AXIOM ARTIS Cardiac Catheterization Laboratory 48' L x 8'-6" W x 13'-6" H USA Unit



© 2006 Oshkosh Specialty Vehicles, All Rights Reserved

This guide contains confidential information of Oshkosh Specialty Vehicles. You may not copy it or any part of it without the written permission of Oshkosh Specialty Vehicles. This manual may be used only by you, and only for the purposes for which it was intended. You may not disclose this manual or the confidential information it contains outside your company. If you wish to copy part of this manual or to use it other than as described above, you must write to Oshkosh Specialty Vehicles seeking permission to do so.

### North America

**Corporate Headquarters**  
Oshkosh Specialty Vehicles  
16745 South Lathrop Ave.  
Harvey, IL  
60426  
USA  
(001) 708.596.5066

### Europe

Oshkosh Specialty Vehicles, Ltd.  
Unit 17, Nelson Way  
Tuscum Trading Estate,  
Camberley, Surrey  
GU15 3DH  
United Kingdom  
(44) 01276.64490

Buys Ballotstraat 6  
3261 LA Oud-Beijerland, Holland  
+31 (0) 186-614322  
Fax +31 (0) 186-619367  
E-mail: [smit@smit-mobile.nl](mailto:smit@smit-mobile.nl)

## List of Revisions

### Revision

### Date

00	Initial Release	December 2005
01	Updated Logo & Company Reference	November 2006

### Notice

In accordance with our policy of product development, Oshkosh Specialty Vehicles reserves the right to make changes in the equipment, design, specifications, and materials of the product described herein. If there are any inconsistencies between this manual and the mobile unit that inhibit serviceability, please contact Oshkosh Specialty Vehicles for assistance.

Any problems or questions related to the components or systems covered in this manual may be directed to:

Oshkosh Specialty Vehicles  
16745 South Lathrop Avenue  
Harvey, IL  
60426  
USA

(001) 800.839.0630 (24 hour service)  
(001) 708.596.2480 (fax)

<http://www.oshkoshsv.com/>

# Table of Contents

<b><u>Introduction</u></b> .....	<b>5</b>
Warnings & Safety Alert Conventions.....	5
<b><u>Support Pad Requirements</u></b> .....	<b>6</b>
Trailer Weight.....	6
Recommended Support Pad.....	6
Support Pad Depth .....	6
Support Pad Levelness.....	6
Recommended Service Pad .....	6
Vehicle Access.....	6
Recommended Attachment to the Facility .....	6
Swing Clearance Note .....	6
Air Conditioning Air Flow Clearance .....	7
<b><u>Customer Power Requirements</u></b> .....	<b>8</b>
Lockout/Tagout .....	8
Electrical Service .....	8
Frequency .....	8
Phase Balance .....	8
Maximum voltage variation .....	8
Connector Type.....	8
Customer Facility .....	8
Power Source Monitoring (Facility Only) .....	9
<b><u>Mobile Grounding Requirements</u></b> .....	<b>10</b>
Ground Conductor .....	10
Special Grounding Note.....	10
<b><u>Telephone, Data and Emergency Connections</u></b> .....	<b>11</b>
Telephone Service .....	11
Data Service.....	11
Code Blue Connections .....	11
Fire Alarm Connections .....	11
<b><u>Water Requirements</u></b> .....	<b>12</b>
Humidifier Water Fill.....	12
Fresh Water Supply Requirements.....	12
Waste Water Connections .....	12

## Table of Figures

Figure 1: Pad Layout .....	13
Figure 2: Right Side Elevation .....	14
Figure 3: Left Side Elevation .....	15
Figure 4: Stair / Lift / Wall Elevation .....	16
Figure 5: Russellstoll Service Outlet.....	17
Figure 6: Russellstoll Chart .....	19
Figure 7: Turning Requirements.....	19
Figure 8: Variations of Stair Arrangement .....	20
Figure 9: Phone & Data Connections .....	21
Figure 10: Code Blue and Fire Alarm Connections.....	22

## Introduction

The purpose of this document is to provide the basic information needed for site planning. For specific information not contained in this document, please contact Oshkosh Specialty Vehicles.

The mobile unit requires sufficient room to be maneuvered and positioned for setup and takedown. The mobile unit has many storage compartments and service doors that require access during these procedures as well as during operation. The expanding wall sections, patient lift, entry stair and optional platform require additional space on the passenger side of the mobile unit. Refer to the drawings provided for actual locations of doors, patient lift, and stair sizes and locations.

### Warnings & Safety Alert Conventions

Three types of statements are used throughout this document to warn the operator of potential situations. Always read these statements carefully and take the appropriate safety precautions to ensure a safe environment for all personnel and all property. The statements are as follows:



This type of notice indicates a potentially hazardous situation, which if not avoided, could result in injury or death to the operator of the mobile unit.



This type of notice indicates a potentially hazardous situation, which if not avoided, could result in irreparable damage to the mobile unit.



This type of notice is meant to inform the operator of useful information.

## Support Pad Requirements

### **IMPORTANT**

If other modalities utilize the same support pad, it is recommended that non-ferrous reinforcement materials be used for pad reinforcement.

### **IMPORTANT**

Siemens must approve plans for pad construction.

The following is a list of recommendations and requirements for a concrete support pad. However, due to varying site conditions, the actual pad design should be prepared by an appropriately licensed structural or architectural engineer.

### Trailer Weight

The weight of the trailer should be considered in the design of the support and service pads. The overall weight of the trailer is approximately 50,640 lbs. The weight on the rear axles is approximately 32,260 lbs. The weight on the King Pin is approximately 18,380 lbs.

### Recommended Support Pad

A full pad measuring 10'-2" x 41'-2", located as shown on [Figure 1: Pad Layout](#) and [Figure 2: Right Side Elevation](#) as the crosshatching, is the recommended support pad.

### Support Pad Depth

Recommendations for the width and length of the pad are given above. Based upon the existing site conditions, the depth should be determined by a local contractor. It is recommended that non-ferrous reinforcement materials be used for pad reinforcement.

### Support Pad Levelness

The support pad must be level to ensure proper operation of the medical system. The pad must not exceed .125" deviation in 10'-0". If the minimum support pads are selected, rather than the recommended single pad, they must also meet this specification.

### Recommended Service Pad

A full pad measuring 25'-5" x 57'-0", located as shown on [Figure 1: Pad Layout](#) and [Figure 2: Right Side Elevation](#) is recommended to provide a service access.

### Vehicle Access

A firm, level surface is required around the mobile unit in order to provide access to the site, patient access to the mobile unit, and servicing of the mobile unit.

### Recommended Attachment to the Facility

An inflatable air bag or soft seal is recommended at the point of connection from the unit to the facility. Fixed or solid connections may hinder imaging quality. Contact Oshkosh Specialty Vehicles or the local Siemens representative prior to construction if the proposed connection varies from the recommended.

### Swing Clearance Note

Please verify the actual dimensions of the rearmost projections on the cab of your tractor to the centerline of tandem suspension or centerline of the fifth wheel plate on your tractor. Refer to [Figure 7: Turning Requirements](#) for proper tractor sizing information.

### **Air Conditioning Air Flow Clearance**

The following clearances for acceptable air conditioning condenser air flow have been established between wall-mounted equipment and opposing units or surfaces for maximum capacity, lowest operating cost, satisfactory operation of ventilation packages, and longest service life

- Unit discharging against opposing (facing) unit – 20 feet from coil grill to coil grill
- Unit discharging against a wall or essentially solid barrier – 15 feet from coil grill to wall.

See [Figure 1: Pad Layout](#).

## Customer Power Requirements



It is the operator's responsibility to verify that the shore power receptacle is of the same type and voltage as the connection that is supplied by Oshkosh Specialty Vehicles. Failure to do this can result in injury or death to the operator of the mobile unit as well as irreparable damage to the mobile unit.



The standard connector for the unit is a Russellstoll DS2504 MP000/DF2032 480V 200A Plug. If an existing site currently implements a different connector or connector configuration, please contact Oshkosh Specialty Vehicles in order to arrange for a compatible power connector before the unit leaves the facility.

### Lockout/Tagout

A Lockout/Tagout provision in accordance with OSHA Standard 1910.147 is required. The facility shore power disconnect device must be located within 40'- 0" of the unit and must provide for an effective lockout/tagout to facilitate safe service and maintenance of the unit.

### Electrical Service

480 V AC, 3 Phase, 150 Amps

Three phase wye connection with neutral and ground.

The fused main disconnect requires 150 amp dual element time delay fuses, FRS-R150 or equivalent.

### Frequency

60 Hz  $\pm$  0.5 Hz maximum

### Phase Balance

The phase balance is 2% max between phases

### Maximum voltage variation

The maximum voltage variation is  $\pm$  5% from nominal steady state (under the worst case conditions of line voltage)

### Connector Type

The unit is supplied with a 50-foot cable and male connector. The connector is a Russellstoll 200 Amp plug DS2504 MP000/DF2032. The facility must have the matching receptacle as specified in [Figure 5: Russellstoll Service Outlet](#) and [Figure 6: Russellstoll Chart](#). The receptacle is a Russellstoll DF 2504 FRAB0 female connector.

### Customer Facility

The customer facility must have the matching receptacle as specified in [Figure 5: Russellstoll Service Outlet](#) and [Figure 6: Russellstoll Chart](#). Unless otherwise specified, the receptacle type to be used must be a Russellstoll female connector.

See Telephone, Data and Emergency Connections Section for these connections.



## **Power Source Monitoring (Facility Only)**

**NOTE: Perform a power audit first.**

A power analyzer should be used to check the proposed Mobile Cardiac Catheterization Lab Series facility site power for average line voltage, surges, sags, reclosures, impulses, frequency and microcuts. A period that includes two weekends should be used to simulate several days of normal use. Analysis of the data and site history of any previous power problems with other X-ray systems or computer installations should be reviewed with your power and ground representative. Verify “brown-out” (low voltage) conditions, which may occur during summer months, will not exceed the allowable range.

Some analyzer models that are suitable for power monitoring are:

- Dranetz Model 658
- Dranetz Model 656A
- BMI 3630
- RPM

# Mobile Grounding Requirements

## Ground Conductor

An insulated ground conductor is provided in the unit power cord equal in size to the incoming power wires. The customer shall provide an additional grounding rod at the trailer pad. A 50' # 1/0 AWG conductor is provided for the grounding rod mentioned. The conductor terminates in the main panel-grounding terminal. Both grounds protect all devices and components contained within the unit.

NOTE:

The electrical power source must meet the requirements of the national electric code and National Fire Protection Association for Emergency Backup Power as applied to cardiac catheterization labs. Please consult the applicable codes and the local authorities in your area for guidance. The following codes define the requirements of "Emergency Systems" for cardiac catheterization laboratories.

NFPA 70 Article 517-33 (a) (8) c & NFPA99 Paragraph 3-4.2.2.2 (c)

## Special Grounding Note

The unit must have an earth driven ground rod within five (5) feet of the hospitable power receptacle. A grounding cable of a minimum 1/0 AWG must be connected between the grounding rod and the grounding pin of the hospital power receptacle. A separate grounding conductor must still be run with the phase conductors to the source of power from the grounding pin of the hospital power receptacle in accordance with NEC.2002 Article 250-24.

# Telephone, Data and Emergency Connections

## Telephone Service

The unit is supplied with three telephone connections. See [Figure 9: Phone & Data Connections](#) for Phone & Data Connections. The connector type that is used is a model Hubbell PH-6595 (inlet), supplied by Oshkosh Specialty Vehicles.

Two Hubbell PH-6599 50 foot telephone-connecting cables are included with the unit. If a third cable is needed, the customer must purchase it. Figure 9: Phone & Data Connections

The customer is required to purchase and install three Hubbell phone connectors, model PH-6597 (weatherproof phone outlets) for use at the site.

As an option, up to three phone lines can be connected using the RJ-11 connectors.

## Data Service

An adapter to connect the medical system is required if a site plans to use existing 10Base2 (coax) Ethernet connections. The adapter will convert between a 10Base2 coaxial connector and a 100BaseT RJ-45 type connector. The mobile unit requires an RJ-45 type connector.

See [Figure 9: Phone & Data Connections](#) for Phone& Data Connections.

The unit is supplied with three data line connections.

The customer is required to purchase the data connection cables. The data connections utilize a 50'-0" CAT-5E cable with an RJ-45 connector.

## Code Blue Connections

The unit is supplied with a 50' long cable and male connector for the code blue function. See [Figure 10: Code Blue and Fire Alarm Connections](#) for wiring connections.

The connector is a Russellstoll #SKWP8G.

The facility must have the matching female receptacle Russellstoll #SKWP8G.

## Fire Alarm Connections

The unit is supplied with a 35' long cable and male connector for the fire alarm function. See [Figure 10: Code Blue and Fire Alarm Connections](#) for wiring connections.

The connector is a Russellstoll #SKWP8G.

The facility must have the matching female receptacle Russellstoll #SKWP8G.

## Water Requirements

A fresh water connection and wastewater drainage provision are required for the catheterization laboratory.

### Humidifier Water Fill

The unit contains a water storage tank for the humidifier. This tank is located in the equipment room and must always contain water to insure the specified humidity level remains constant. There are two options for filling the tank:

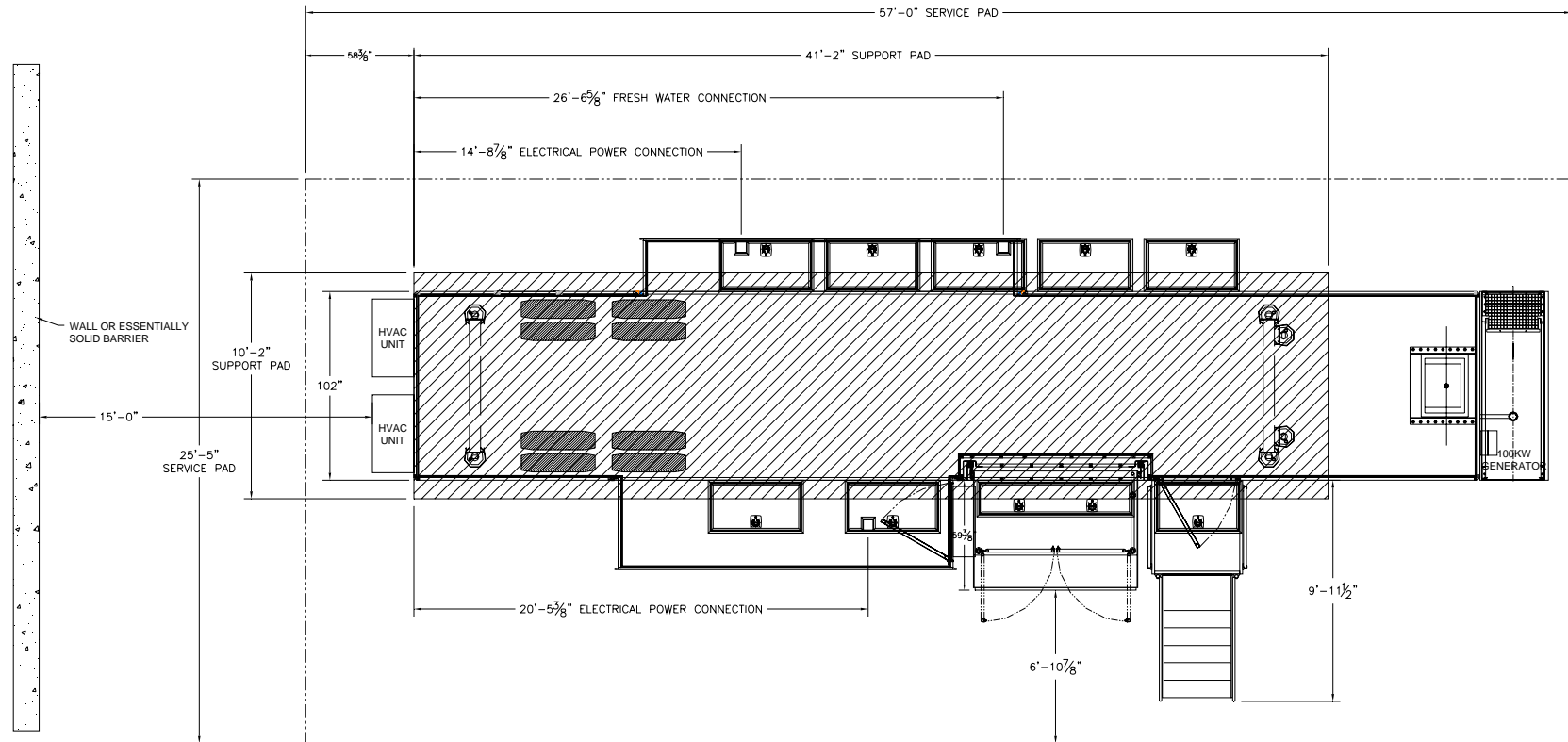
- A  $\frac{3}{4}$ " female threaded garden hose connection is located under the equipment room.
- A fill port is located in the humidifier for manual fill capability.

### Fresh Water Supply Requirements

A cold water supply line is required, with a flow rate of 5 gallons/minute, 45-60 psi and a maximum temperature of 70°F. The unit will be supplied with a  $\frac{3}{4}$ " diameter, 20' long hose terminated with a  $\frac{3}{4}$ " I.P.S. male threaded hose connector. The facility is to provide a  $\frac{3}{4}$ " male connector to connect to the units 20' long hose.

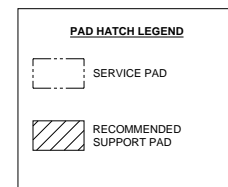
### Waste Water Connections

The unit is supplied with a  $\frac{3}{4}$ " diameter I.P.S. male threaded hose connector to accommodate drainage. The facility must provide means of sanitary wastewater drainage from the system that comply with locally applicable codes.

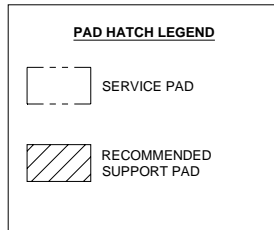
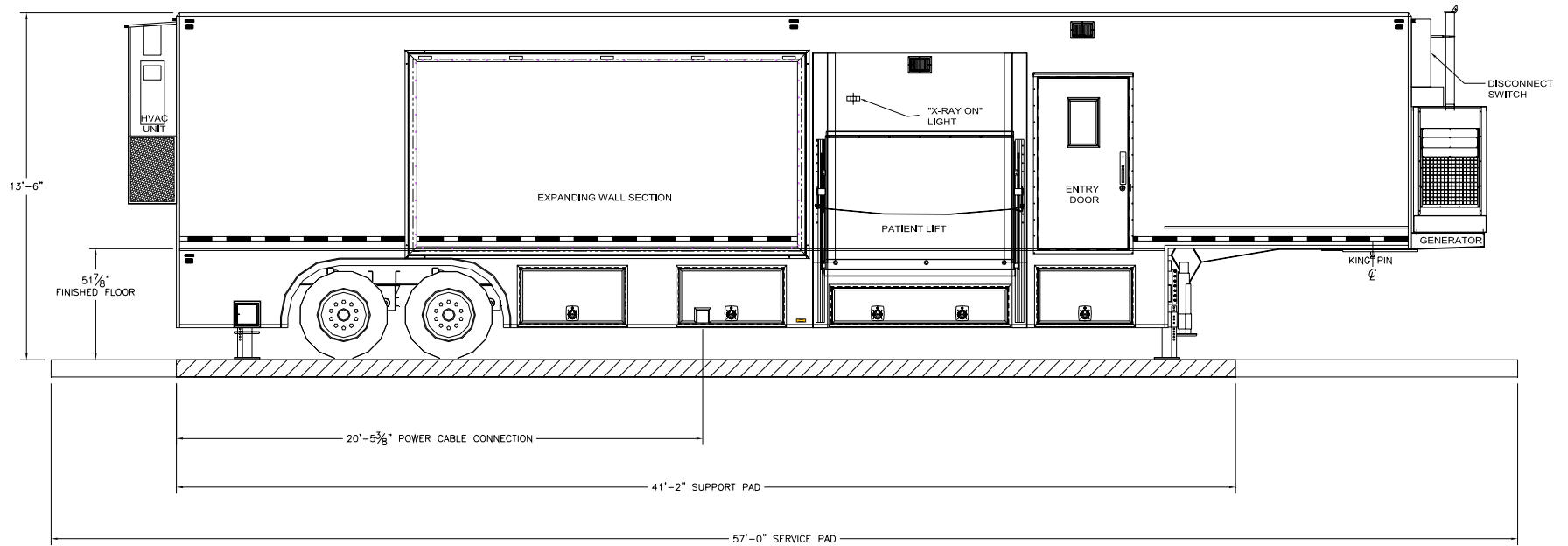


NOTE: IF TWO UNITS ARE PARKED BACK TO BACK, A MINIMUM DISTANCE OF 20' MUST BE MAINTAINED FROM COIL GRILL TO COIL GRILL OF THE A/C UNITS.

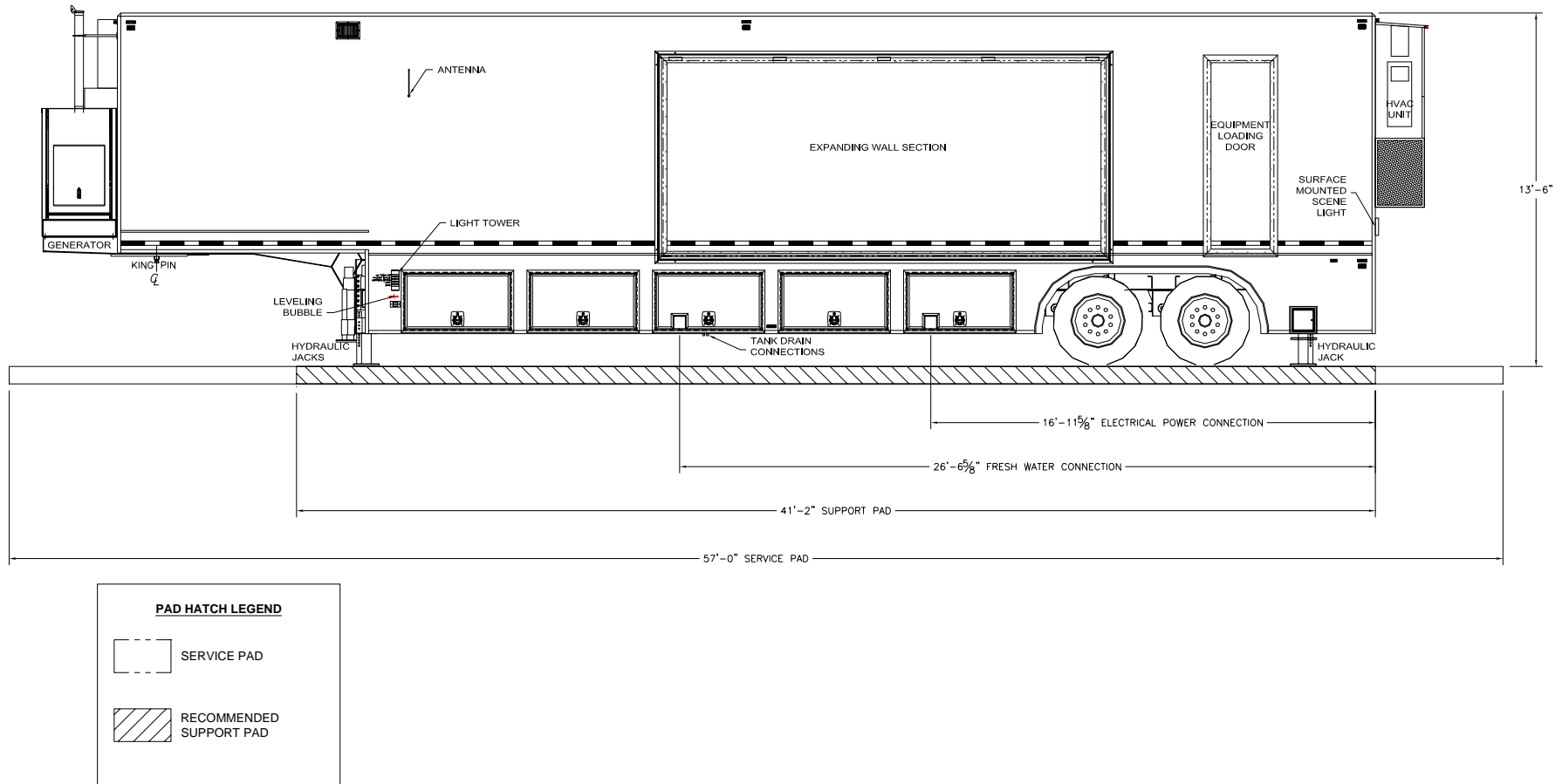
**SITE PLANNING GUIDE - PLAN VIEW**



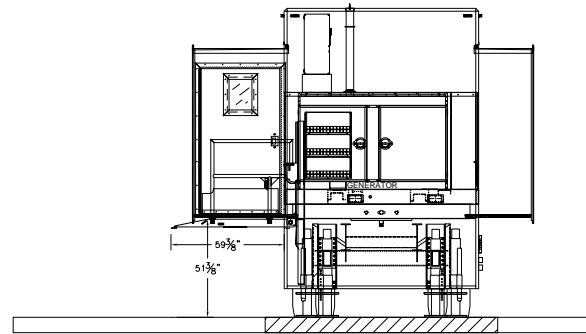
**Figure 1: Pad Layout**



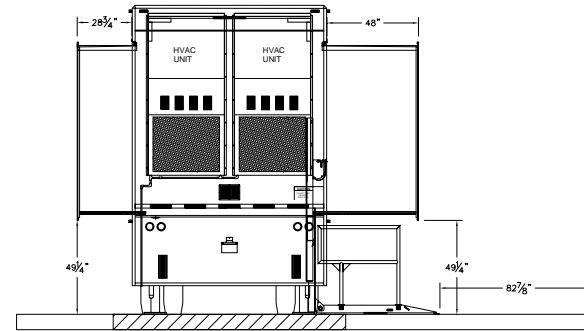
**Figure 2: Right Side Elevation**



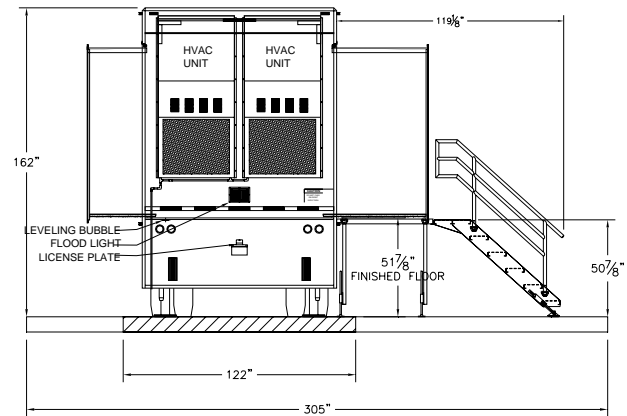
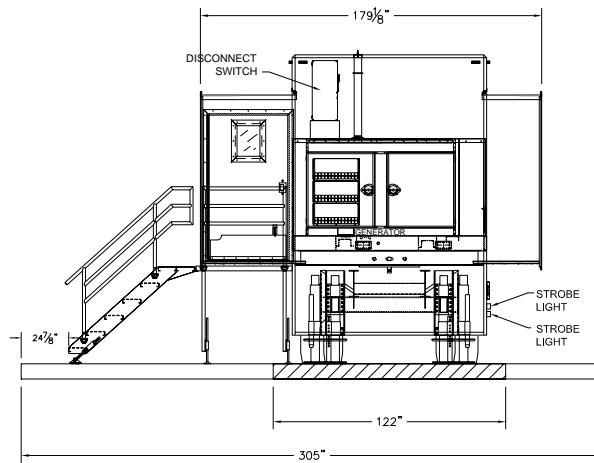
**Figure 3: Left Side Elevation**



LIFT IN UP POSITION

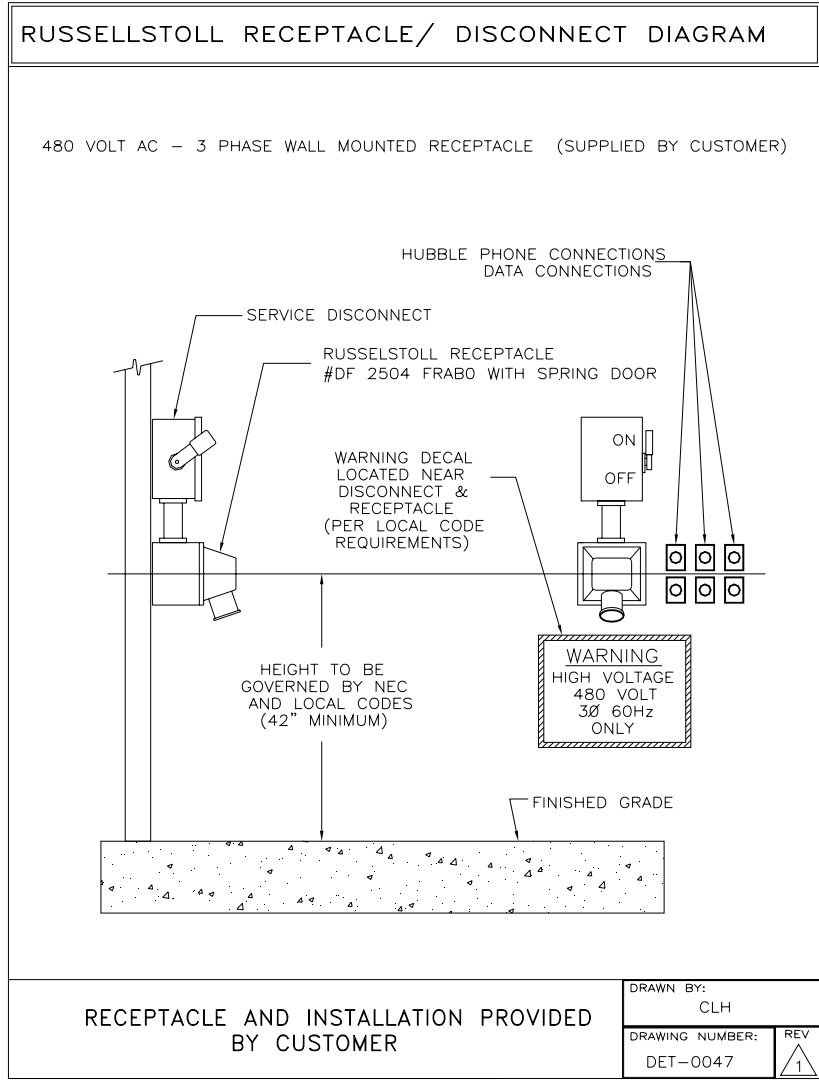


LIFT IN DOWN POSITION



**Figure 4: Stair / Lift / Wall Elevation**



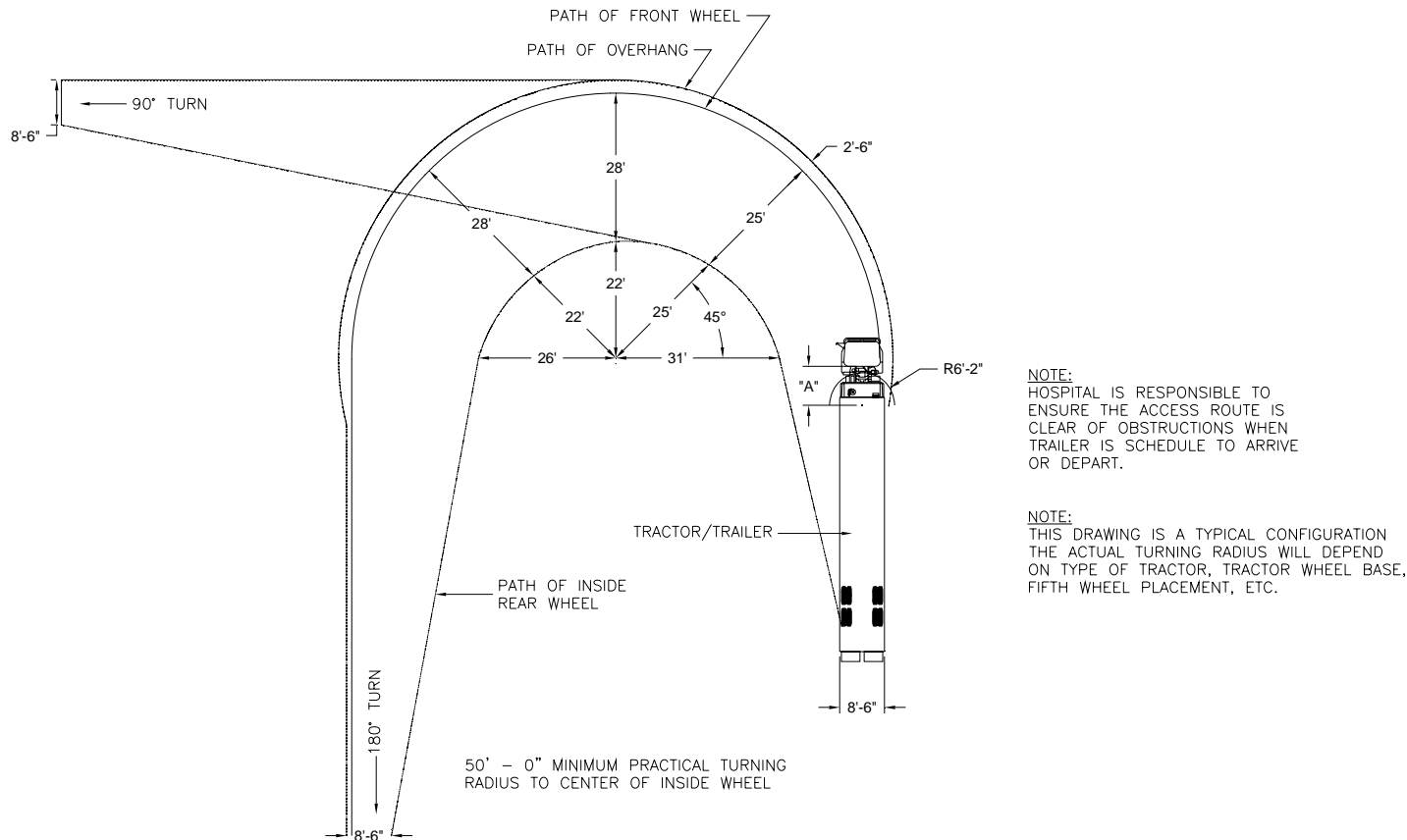


**Figure 5: Russellstoll Service Outlet**



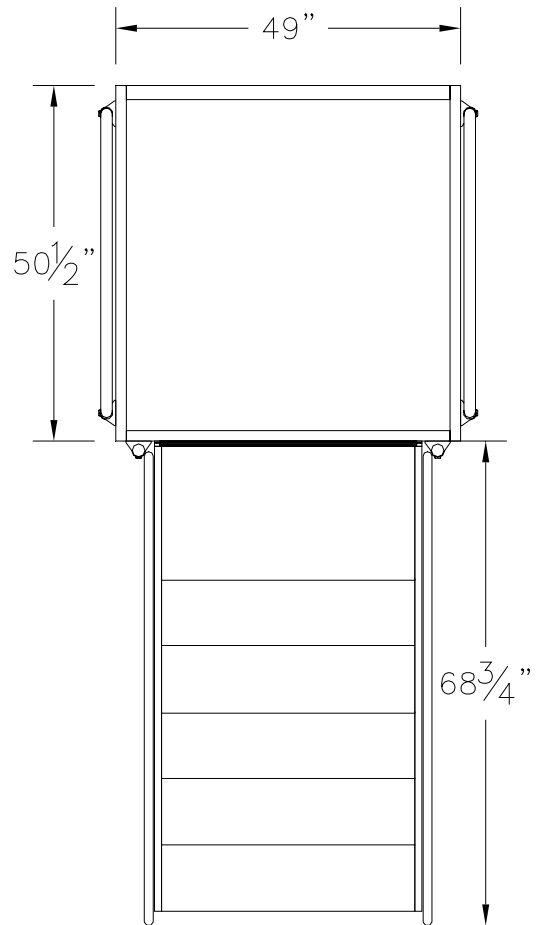
RUSSELLSTOLL RECEPTACLE CHART			
AMP / WIRE	DESCRIPTION		RECEPTACLE
	WIRES	POLES	PART NUMBER
MAXIMUM WIRE SIZE FOR LUG # 1/0	5	4	480 VOLT (200 AMP) 5 WIRE RUSSELLSTOLL RECEPTACLE DF 2504 FRABO THIS RECEPTACLE MUST BE WATERPROOF
480 VOLT AC DEDICATED POWER LINE FROM MAIN TRANSFORMER STATION	3Ø	WYE CONNECTION 150 AMP TOTAL 3Ø NEUTRAL AND GROUND	
RUSSELLSTOLL MATING PLUG PART# DS2504MP000/DF2032 5 WIRE/4 POLE		MAIN DISCONNECT 3/N/PE AC 480 VOLT 150 AMP FUSED DISCONNECT	
RECEPTACLE AND INSTALLATION PROVIDED BY CUSTOMER			DRAWN BY: CLH DRAWING NUMBER: DET-0048 REV 3

**Figure 6: Russellstoll Chart**

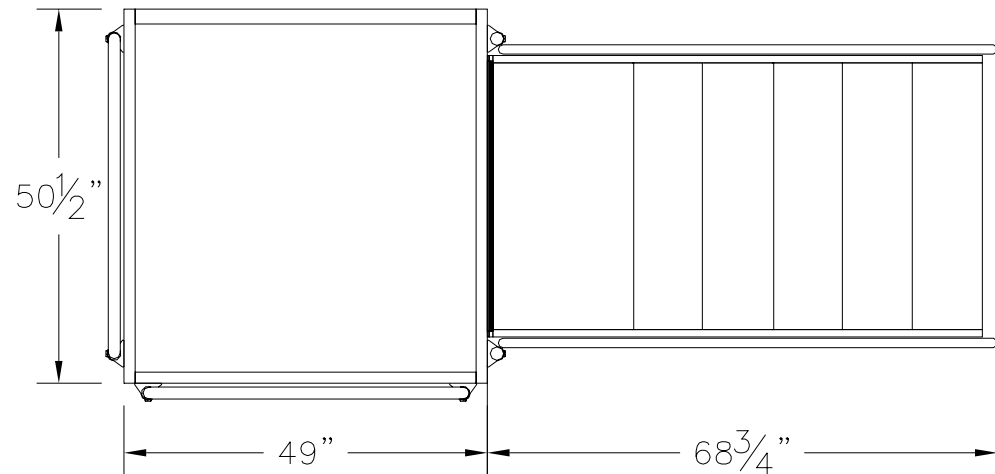


**Figure 7: Turning Requirements**

A minimum “A” dimension of 86” is required from rearmost projection to centerline of tandem suspension. This provides swing clearance for generator set which is mounted on the front of the trailer. Hospital is responsible to ensure the access route is clear of obstructions when the trailer is scheduled to arrive or depart. The 50’ minimum outside turning radius shown here has been calculated using an international harvester (Navistar) tractor Model COF-9670 with a 161” wheelbase. Turning radius will vary with towing tractor. Customer must confirm the turning radius on their tractor and prepare each site with adequate space to accommodate it.

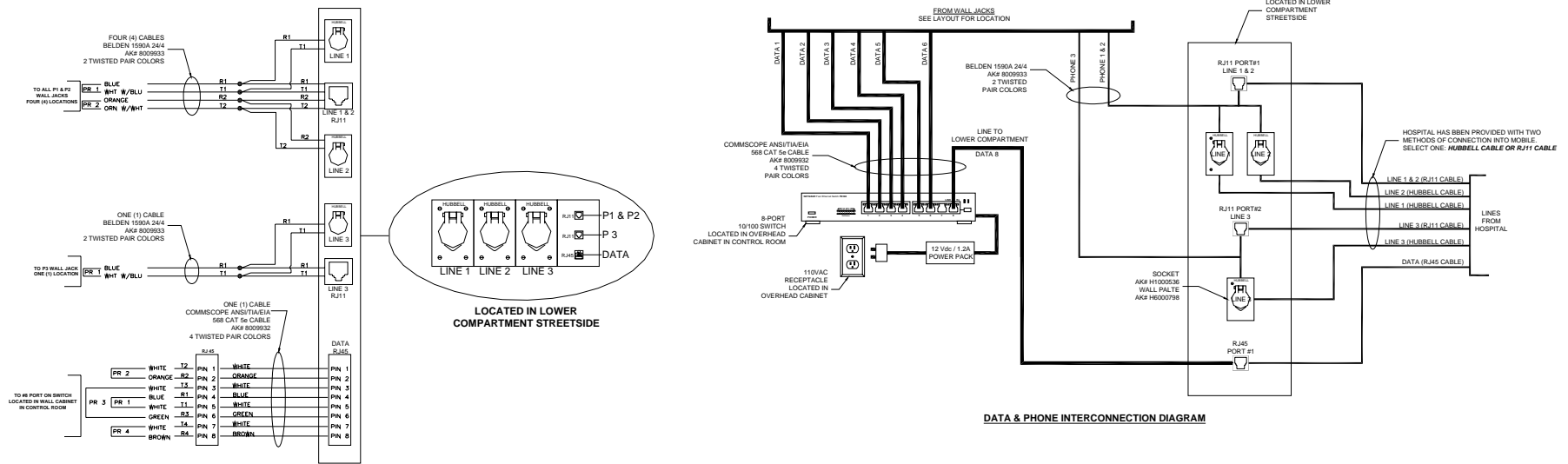


Perpendicular Stairs



Parallel Stairs

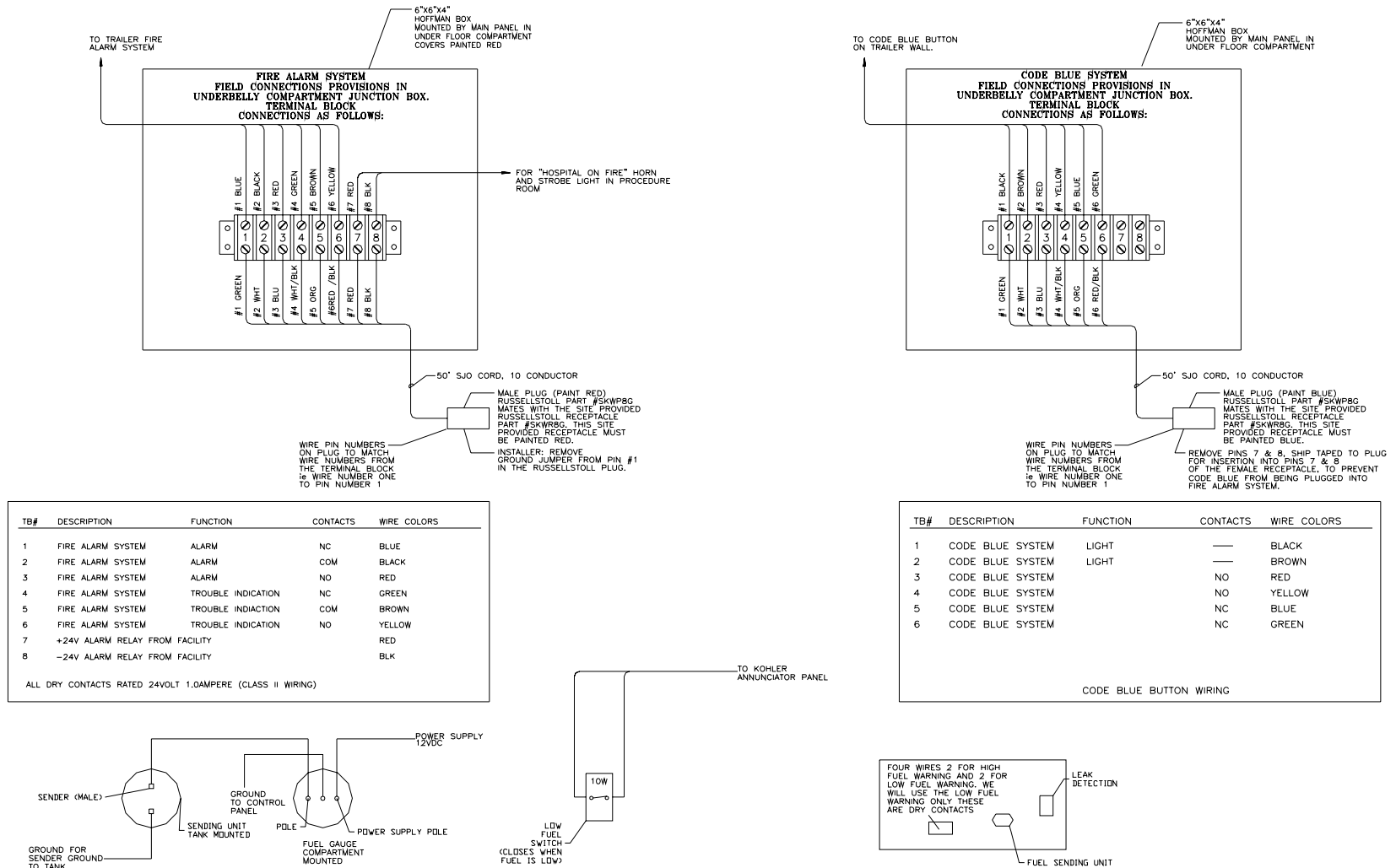
**Figure 8: Variations of Stair Arrangement**



**Figure 9: Phone & Data Connections**



**CODE BLUE & FIRE ALARM FOR MOBILE CARDIAC CATH LAB**



**Figure 10: Code Blue and Fire Alarm Connections**