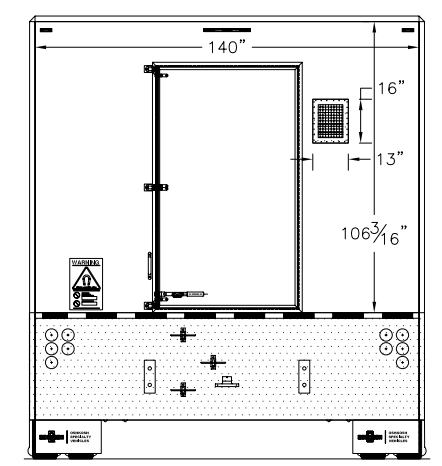
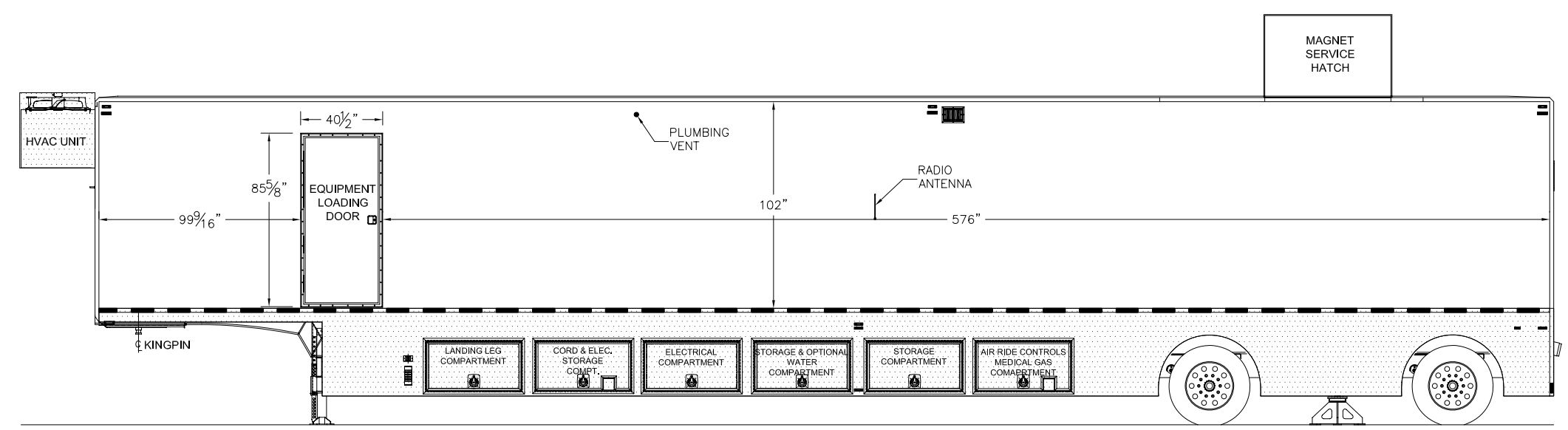
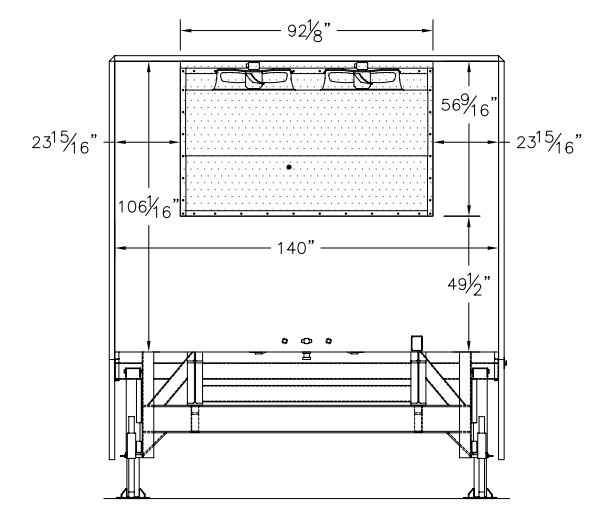
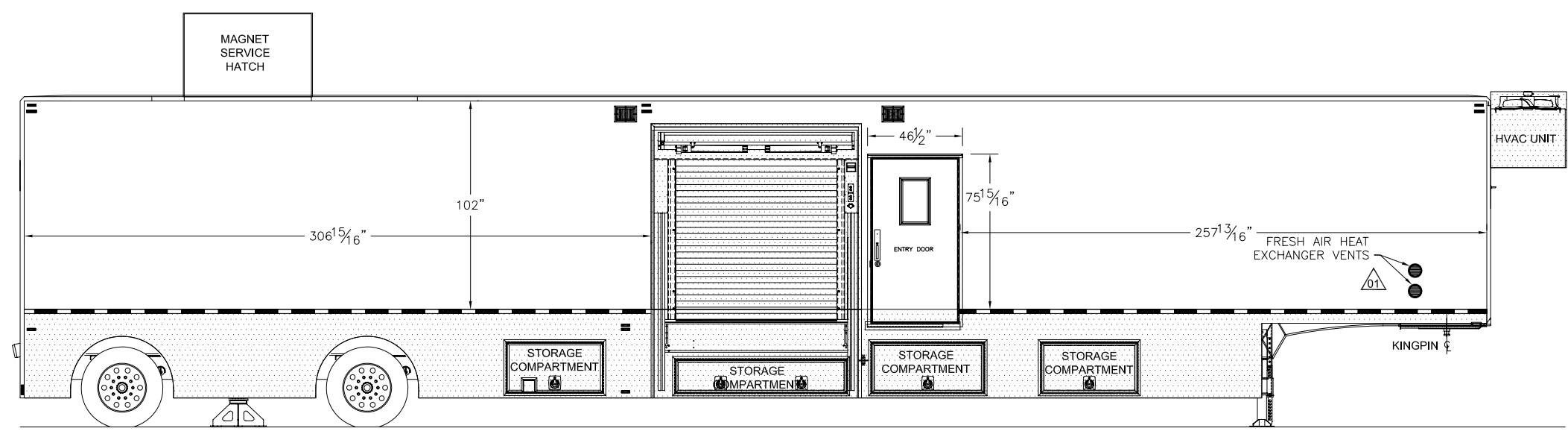
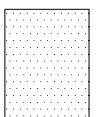


REVISIONS					
REV.	REV. DATE	CHK. BY	CHK. DATE	ENG.	DESCRIPTION
01	06AUG08	D. ROZENDAL	06AUG08	C.H.	ADDED FRESH AIR VENTS



 **NOTE: DOT REQUIRED SAFETY DECALS AND MEDICAL EQUIPMENT SAFETY DECALS MUST NOT BE COVERED BY GRAPHICS**

NO GRAPHICS AREA

THIS DRAWING IS PROVIDED ON A CONFIDENTIAL BASIS SUBJECT TO RETURN ON DEMAND OF OSHKOSH SPECIALTY VEHICLES ("OSHKOSH"), WHICH RETAINS ANY AND ALL RIGHTS ASSOCIATED WITH IT AND THE ARTICLE OR ARTICLES IT REPRESENTS. DISCLOSURE, REPRODUCTION OR ALTERATION OF ANY PART OF THIS DRAWING OR MANUFACTURE, USE OR SALE OF THE ARTICLE OR ARTICLES REPRESENTED, IS PROHIBITED WITHOUT THE PRIOR WRITTEN AUTHORIZATION OF OSHKOSH. © OSHKOSH SPECIALTY VEHICLES (unpublished).

SHEET NUMBER: <b>SHEET 1 OF 1</b>	REFERENCE DRAWING:	TITLE: GRAPHICS LAYOUT SIEMENS MEDICAL SYSTEMS 1.0/ 1.5 T MRI 12'-0" x 13'-6" x 60'-0" TRANSPORTABLE	DATE: 07/07/08	SCALE: 3/8"=1'-0"
JOB#	 <b>OSHKOSH SPECIALTY VEHICLES</b>		16745 S. LATHROP AVENUE HARVEY, IL. 60426 PHONE: (708) 596-5066 FAX: (708) 596-2480	CHECKED BY: D. COLLINS DRAWN BY: D. ROZENDAL DRAWING NUMBER: 10307-A29