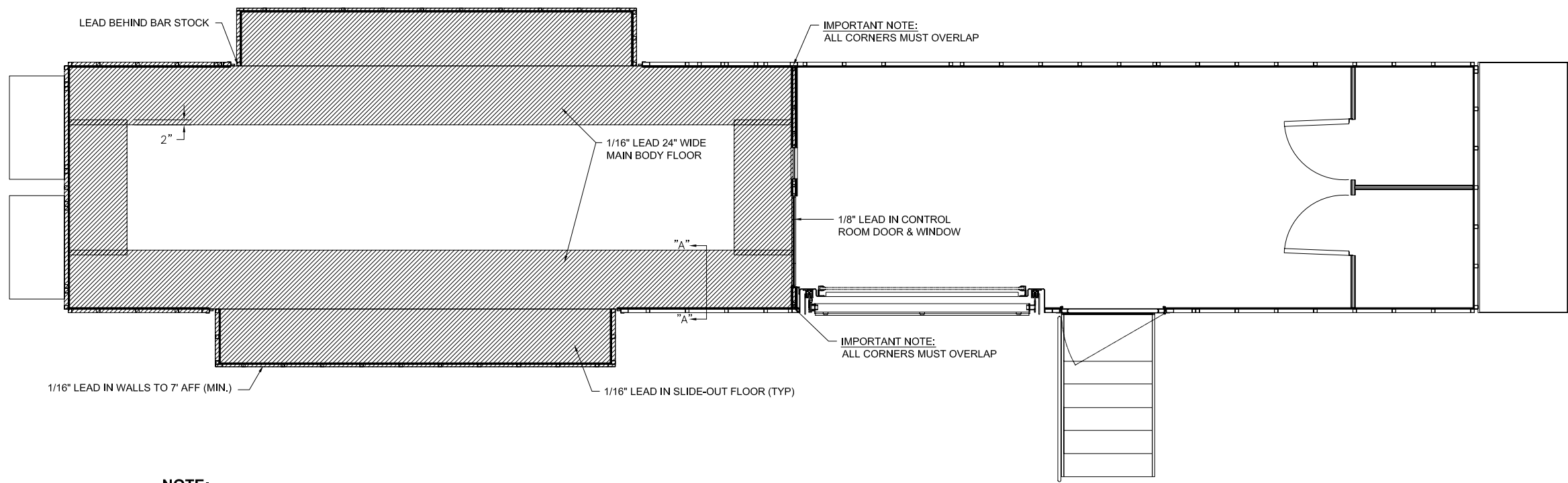
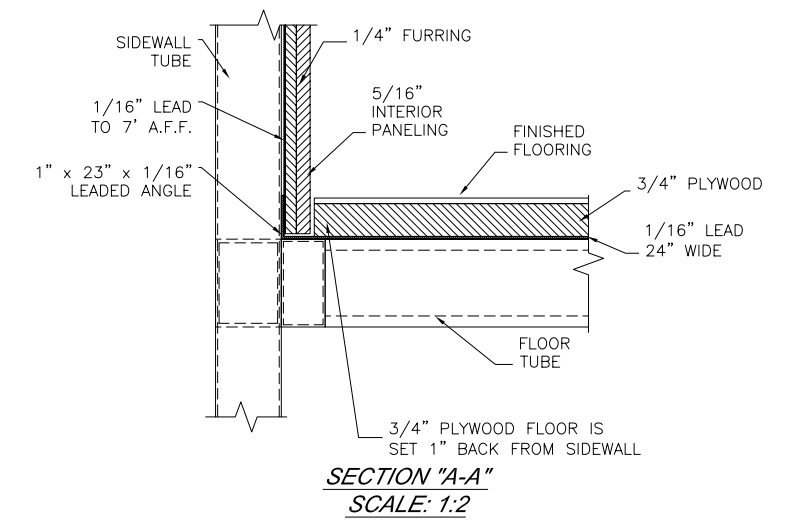


REVISIONS					
REV.	REV. DATE	CHK. BY	CHK. DATE	ENG.	DESCRIPTION
01	02/13/06	C.H.	27FEB07	D.B.	REVISED TO 1/4" FURRING



- NOTE:**
1. LEAD MATERIAL MUST BUTT TO LEAD IN SIDE WALLS & FLOOR.
 2. LEAD IN GANTRY ROOM 1/16" FULL HEIGHT.
 3. LEAD IN SLIDE OUTS 1/16" FULL HEIGHT.

PLAN VIEW



THIS DRAWING IS PROVIDED ON A CONFIDENTIAL BASIS SUBJECT TO RETURN ON DEMAND OF OSHKOSH SPECIALTY VEHICLES ("OSHKOSH"), WHICH RETAINS ANY AND ALL RIGHTS ASSOCIATED WITH IT AND THE ARTICLE OR ARTICLES IT REPRESENTS. DISCLOSURE, REPRODUCTION OR ALTERATION OF ANY PART OF THIS DRAWING OR MANUFACTURE, USE OR SALE OF THE ARTICLE OR ARTICLES REPRESENTED, IS PROHIBITED WITHOUT THE PRIOR WRITTEN AUTHORIZATION OF OSHKOSH. © OSHKOSH SPECIALTY VEHICLES (unpublished).

CUSTOMER AUTHORIZATION	
COMPANY NAME:	TITLE:
NAME (PRINT):	DATE:
SIGNATURE:	

SHEET NUMBER: 1 OF 1	REFERENCE DRAWING:	TITLE: LEAD REQUIREMENTS - PLAN VIEW PHILIPS BRILLIANCE CT 8'-6" X 13'-6" X 48'-0" TRAILER	DATE: 16AUG05	SCALE: 1/2"=1'-0"
JOB#		OSHKOSH SPECIALTY VEHICLES	16745 S. LATHROP AVENUE HARVEY, IL, 60426 PHONE: (708) 596-5066 FAX: (708) 596-2480	
			CHECKED BY:	DRAWING NUMBER: 10270-A18